

XTENDER™



PART NUMBERS

Xtender (1 set of 4 pcs.)
004-00405

Xtender20 in Bulk
(5 sets, 20 pcs.)
020-00406

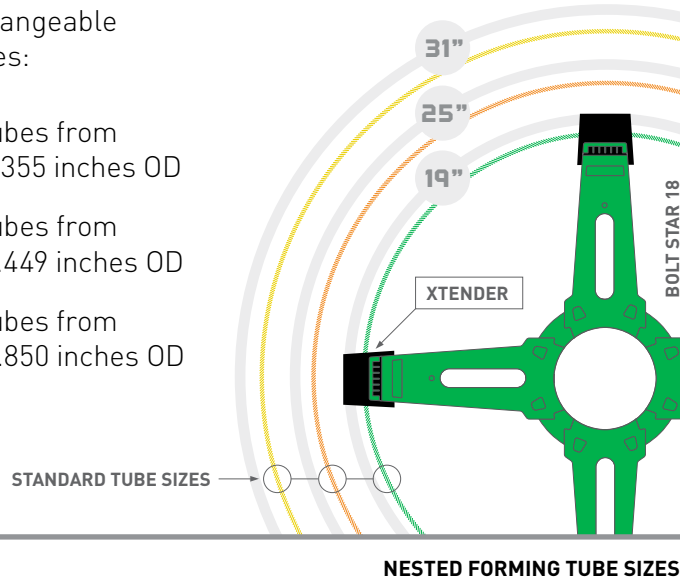
Xtender is not required nor recommended for the standard diameter 18", 24", or 30" forming tubes

Adaptor For Larger Nested Forming Tubes

Snaps on to the end of each Bolt Star arm and extends it to fit the larger outer diameter nested concrete forming tube.

- Use Xtender with Bolt Star on the "nominal" or larger outer diameter concrete forming tubes found in certain regions of the U.S. and Canada. The larger tubes are typically labeled standard and "nested" or slipped over the outside of standard 18", 24", or 30" tubes to save on shipping costs and storage space.
- Fits nominal standard wall tube by major manufacturers
- Reusable: Made in the USA of high strength ABS material

- Xtender is interchangeable with Bolt Star sizes:
 - 18"** Fits outer tubes from 19.000 to 19.355 inches OD
 - 24"** Fits outer tubes from 25.178 to 25.449 inches OD
 - 30"** Fits outer tubes from 31.200 to 31.850 inches OD



500 Maximum 500-lbs load with Bolt Star. See installation notes for more information.